

DARFON

Enclosed Power Supply Series DFE-050 Series

Features

- Universal AC input / Full range
- High efficiency $\geq 83\%$
- Protections: short circuit / Overload / Over voltage
- High reliable Japanese brand 105°C aluminum electrolytic capacitors
- Slight mechanical design
- LED indicator for power on
- Flexible voltage adjustment by VR
- Safety & EMI: c UL/CB/CE/FCC

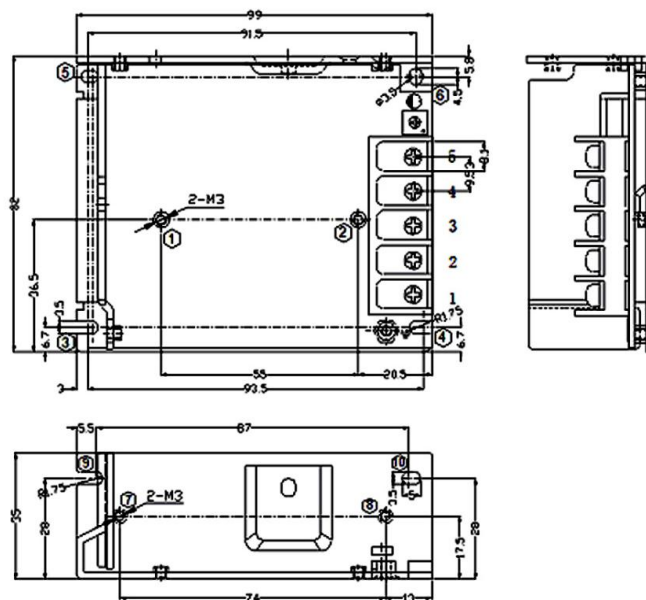


Electrical Specification

Specifications		DFE-050-12	DFE-050-24
DC Output Voltage	V	12	24
DC Maxium Load	A	4.2	2.2
Total DC Output	W	50.4	52.8
Efficiency at 115/230V	%	82/84	82/84
AC Input Voltage	V	AC 90-264V (47-63Hz)	
AC Input Current at 115/230V	A	3	1.5
Voltage Adjusting Range	V	11.4 ~ 13.2	22.8 ~ 26.4
Ripple & Noise	Mv	120	200
Working Temperature	C	-25C~70C	
Cooling Type		Free air convection	
Dimension (L*W*H)	mm	L99*W82*H35	

Mechanical Drawing

Dimension:
L99 x W82 x H35mm



* Specification may change without prior notice.

<http://www.darfon.com.tw> TEL: +886-3-2508800